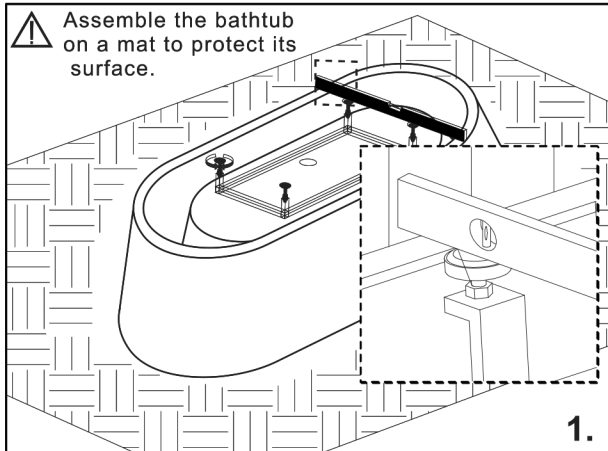
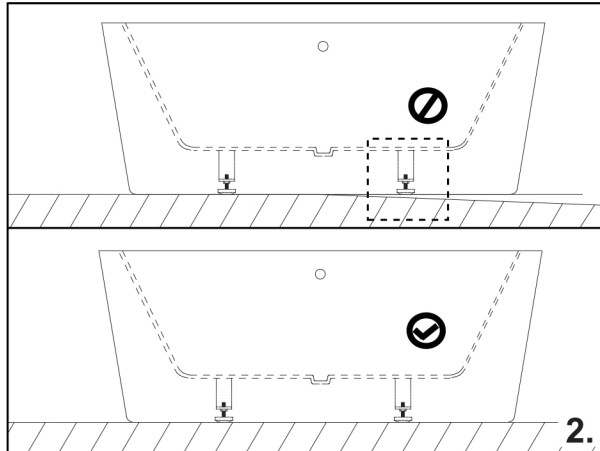


ACRYLIC BATHTUB INSTALLATION

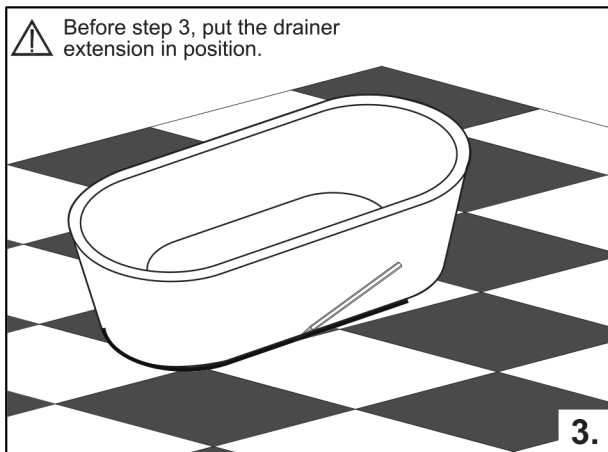
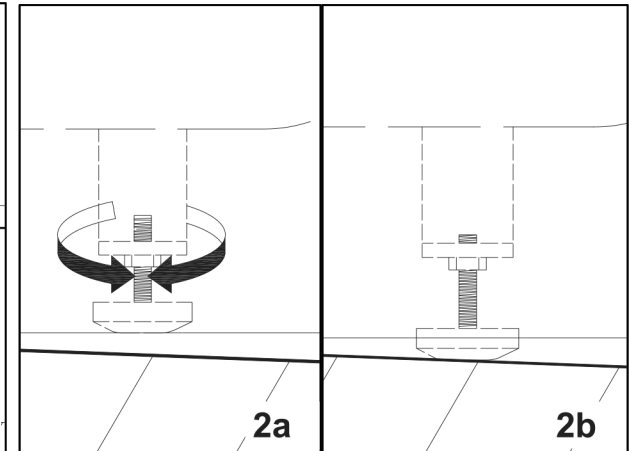
Swiss Madison®



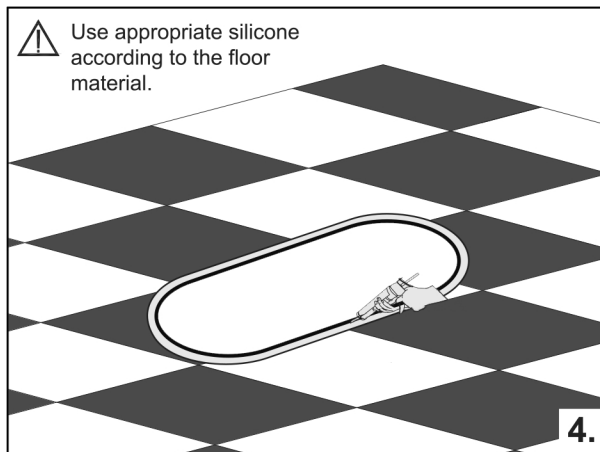
- Ensure its legs are adjusted in line with its base.



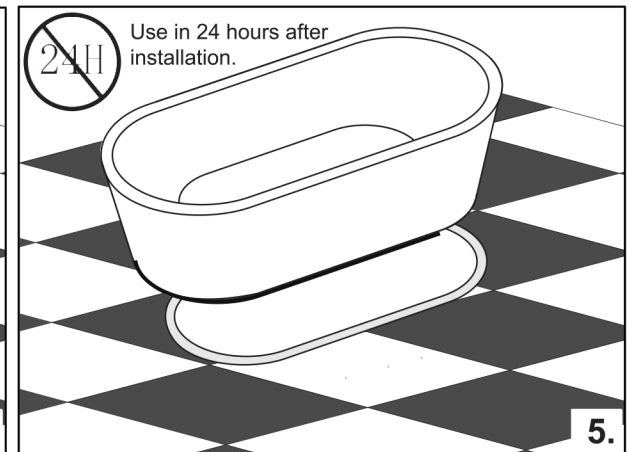
- Check to ensure the bathtub sits flat. Adjust its legs if required.



- Trace the outline of its base with a pencil.



- Apply silicone within the outline traced.



- Set the bathtub in final position.

⚠ The guide doesn't include how to install the drainer extension, which should be installed by a qualified plumber.

ACRYLIC BATHTUB INSTALLATION

Swiss Madison®

